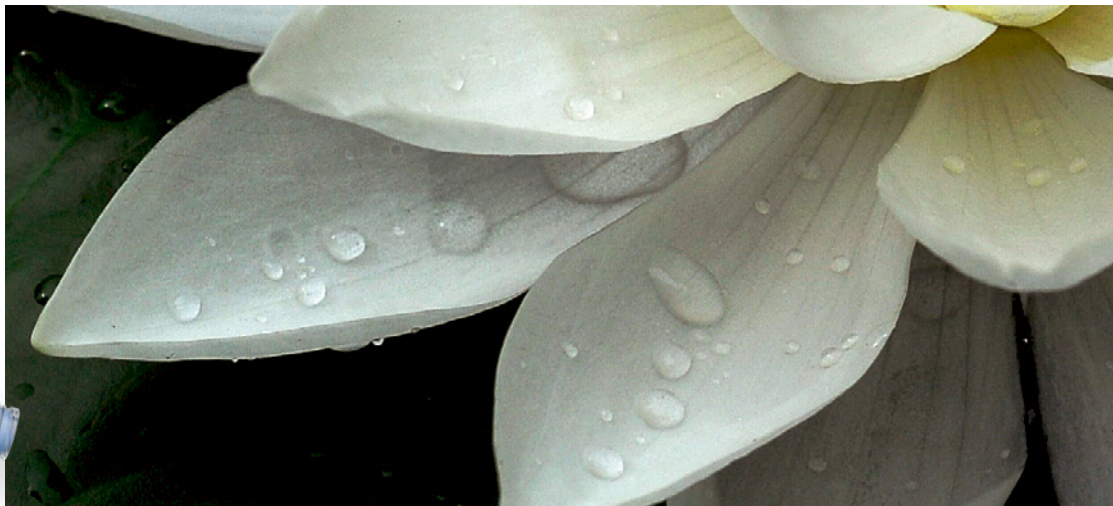
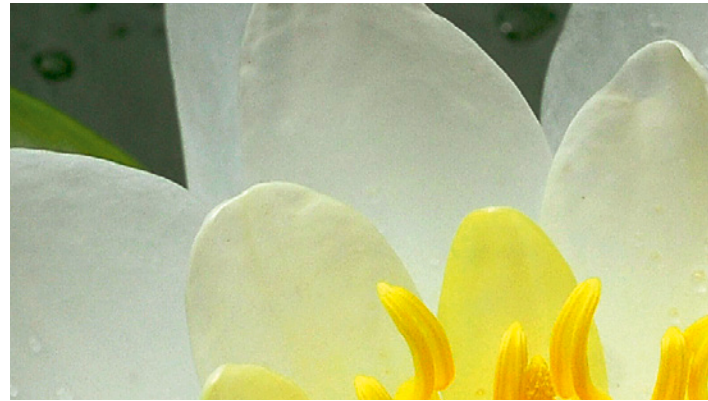


CODAN Drip SWAN®



Drip chamber with integrated
needle-free injection adapter



CODAN Drip SWAN®

More time for patients and medical personnel



Where traditional sets have to be changed, the Drip SWAN® system can be used for a longer period. Accordingly, the Drip SWAN® helps reducing costs and waste while still allowing the medication to be completely administered due to the rinsing option after each infusion. The Drip SWAN® system has additional advantages with regard to storage and reduction in staff time required.

SWabable Adapter Needle-free

Thanks to the SWAN-LOCK® component integrated into the drip chamber, fluids can be added to infusions and injections needle-free. So the Drip SWAN® is yet another CODAN product which clearly helps increasing safety both for patients and medical personnel, minimising any risk to the greatest possible extent.

Luer connector

All single use syringes and transfer systems (e.g. CODAN Koppelsystems) with Luer connectors for use in intravascular or hypodermic applications can be connected to the Drip SWAN® drip chamber without problems - safely, easily and in an economical way.

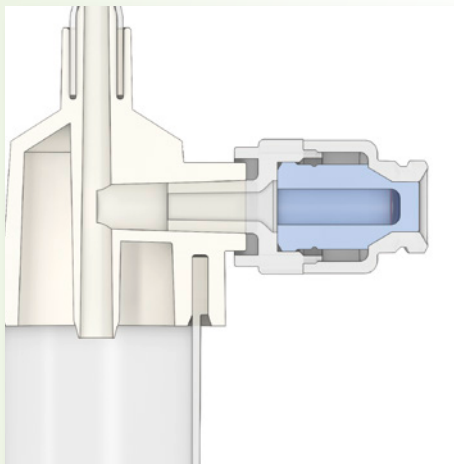
Safe opening/closing mechanism

The SWAN-LOCK® component opens automatically when connected, enabling fluid to flow freely. Fluids can thus be added easily without leakage. When the connected component is removed, the mechanism closes automatically. It has a flat, completely leakproof seal making it unnecessary to use a cap. Prior to each use, wipe disinfection is all that is necessary.



Drip chamber

The Drip SWAN® system also consists of high-tech components designed to work together precisely. The drip orifice is of such shape that 20 drops are equivalent to 1 ml. The level ring helps setting the fluid level. The use of an elongated drip chamber minimises the risk of the fluid level dropping and enables a good mixing of the medication. Another safety feature is the fluid filter at the end of the drip chamber. This 15 µm filter prevents particles from passing through.



Further advantages of the SWAN-LOCK®

The special design reduces the flow rate volume by 16 % only. The transparent, chemical-resistant housing can visually be inspected any time.

Direct injection into the drip chamber

In clinical settings, medical personnel is increasingly relying on medication being supplied in syringes. With the Drip SWAN® system, medication can be added directly, enabling it to blend with the carrier solution inside the drip chamber. Record of protocol should be carried out by the responsible persons at the pharmacies. A corresponding protocol concept is available from CODAN.



Further SWAN-LOCK® components

- 3-way stopcock with needle-free adapter
- Needle-free Y-injection site
- CODAN Spike^{SWAN}
- Chemoprotect® Spike^{SWAN}

CODAN Worldwide



CODAN is known internationally as a manufacturer and supplier of medical transfer systems. The CODAN Companies have more than 1500 employees around the world.

The name CODAN is synonymous with reliability, quality and precision based on the know-how and experience gained from more than 60 years of research and development. Company-owned production facilities and sales companies around the world are a guarantee for efficient production, a tight-knit sales network and a first-class service for customers in the healthcare sector.

CODAN Companies

CODAN Medizinische Geräte GmbH · Deutschland
CODAN pvb Critical Care GmbH · Deutschland
CODAN pvb Medical GmbH · Deutschland
CODAN 11, S.A. · Portugal
CODAN US Corporation · California · USA
CODAN Inc. · California · USA
CODAN NORGE AS · Norge
CODAN TRIPLUS AB · Sverige
CODAN Limited · Great Britain
CODAN FRANCE Sarl · France
CODAN Medical AG · Schweiz
CODAN ARGUS AG · Schweiz
CODAN BV · Nederland
CODAN s.r.l. · Italia
CODAN Medical GmbH · Österreich
CODAN Medical ApS · Danmark
CODAN DEHA ApS · Danmark
CODAN MEDITECH s.r.o. · Česká republika

CODAN Product range

- Infusion sets
- Transfusion sets
- Extension lines and manifold connectors
- Infusion and transfusion accessories
- Infusion filters and filter systems
- Neonatology/Paediatric products
- Withdrawal, preparation and administration systems
- CODAN CYTO®
- Chemoprotect® products
- Single use syringes
- Invasive blood pressure monitoring systems
- Infusion pumps
- Other CODAN Products

Compliance of the established quality management systems with the provisions of EN ISO 13485, the Council Directive 93/42/EEC and/or Regulation (EU) 2017/745 has been certified by the relevant, competent notified bodies:

TÜV SÜD Product Service GmbH

CODAN Medizinische Geräte GmbH
23738 Lensahn, Germany
CODAN pvb Critical Care GmbH
85661 Forstinning, Germany
CODAN US Corporation · Santa Ana, CA 92704, USA
CODAN ARGUS AG · 6340 Baar, Switzerland

Presafe Denmark A/S

CODAN Medical ApS · 4970 Rødby, Denmark

Manufacturer

CODAN Medizinische Geräte GmbH
Stig Husted-Andersen Straße 11 · 23738 Lensahn, Germany
Tel. +49 (0) 43 63 · 51 11 · Fax +49 (0) 43 63 · 51 12 14
codan@codan.de · www.codancompanies.com



The decisive connection